

# BRUSHLESS HIGH TORQUE DC-TYPE AUTO SHUT OFF TRIGGER AND PUSH START CLUTCH TYPE SERIES

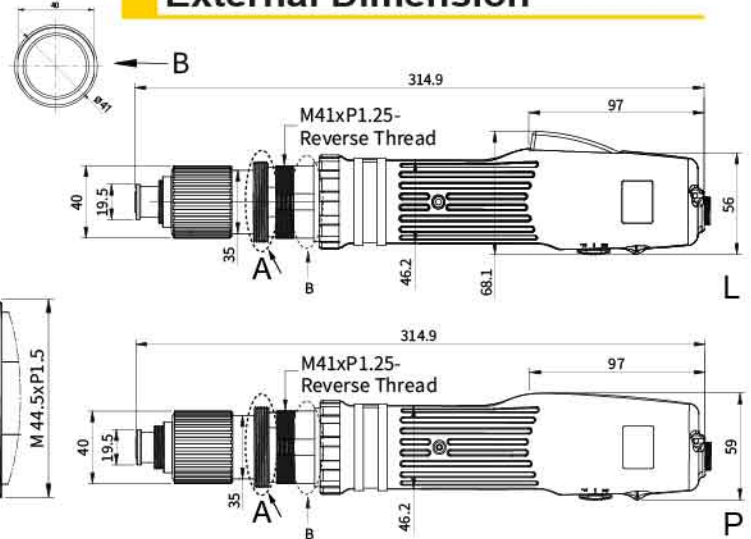
## MYR Series



(Optional)

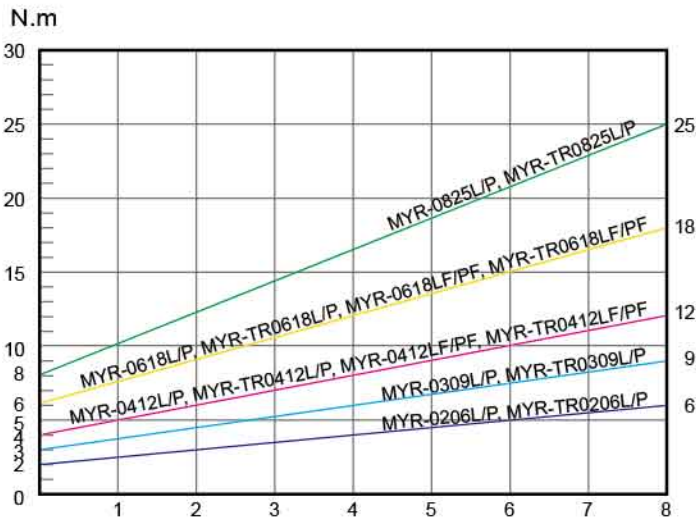


### External Dimension



Unit: mm

### Torque Range Reference Chart

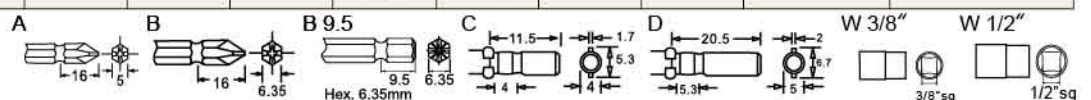


### Accessories



### Specifications

Model	Torque(N.m)		Repeatable Torque Accuracy(%)	Free Speed (r.p.m)		Screw Size Dia (mm)		Weight (kg)	Length (mm)	Power Controller	Bit Type
	Hard Joint	Soft Joint		HI	LO	Machine Screw	Tapping Screw				
MYR-0206L MYR-0206P	2~6	2~4.8	±5%	1200	-	4.0~5.0	≤4	1.25	315	MYP40-1500	B · B 9.5 · W 3/8"
MYR-0309L MYR-0309P	3~9	3~7.2	±5%	900	-	5.0~6.0	≤4.5	1.25	315	MYP40-1500	B · B 9.5 · W 3/8"
MYR-0412L MYR-0412P	4~12	4~9.6	±5%	600	-	≤8	≤6	1.25	315	MYP40-1500	B · B 9.5 · W 3/8"
MYR-0412LF MYR-0412PF	4~12	4~9.6	±5%	880	-	≤8	≤6	1.25	315	MYP40-1500	B · B 9.5 · W 3/8"
MYR-0618L MYR-0618P	6~18	6~14.4	±5%	370	-	≤10	≤8	1.25	315	MYP40-1500	B · B 9.5 · W 3/8"
MYR-0618LF MYR-0618PF	6~18	6~14.4	±5%	600	-	≤10	≤8	1.25	315	MYP40-1500	B · B 9.5 · W 3/8"
MYR-0825L MYR-0825P	8~25	8~20	±5%	370	-	≤10	≤8	1.25	315	MYP40-1500	B · B 9.5 · W 3/8"



※ CE、RoHS